



# Custom Size Building With Double Doors - 26' x 10' x 8'



Advance Concrete Products Company

(800) 824-8351 (248) 887-4173 Fax: (248) 887-2755

All Concrete Shall Have A 28 Day Compressive Strength Of 5000 PSI.

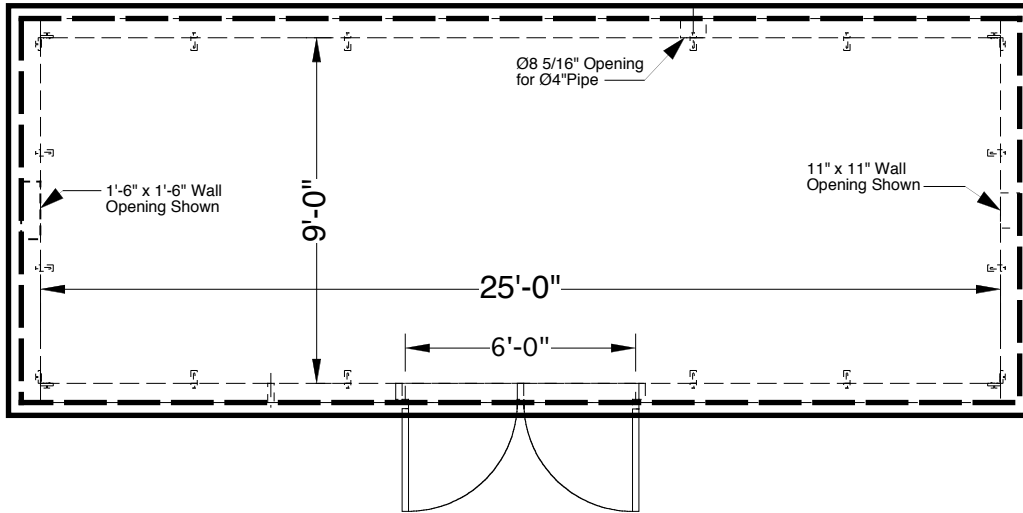
Reinforcing Steel Shall Comply With ACI 318-83 Grade 60 Rebar.

- Standard Structural Design Based On -  
Roof Load Of 60 psf  
Wind Load Of 27 psf Or 130 mph  
Fire Resistance Rating Of 1 1/2 Hours

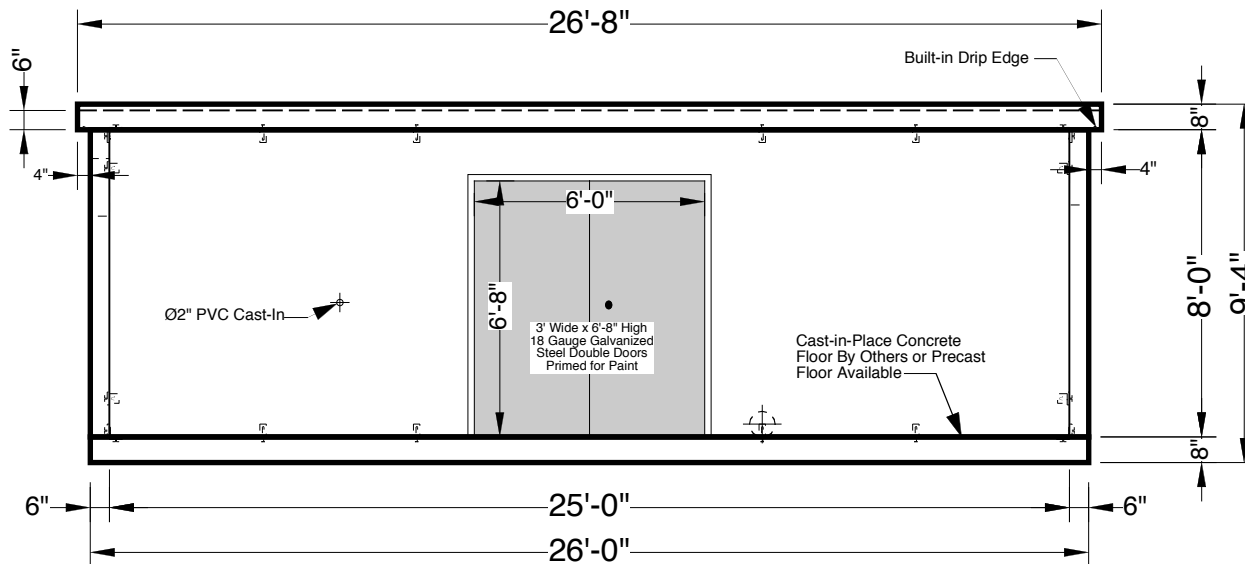
Silicone Caulk Is Provided For Interior And Exterior Joints.

Steel Door(s) Manufactured By CECO Door Division:  
1 3/4" Thick 18 Gauge Steel Door In  
16 Gauge Frame, Primed For Paint, With  
Keyed Dead-Bolt Lock.

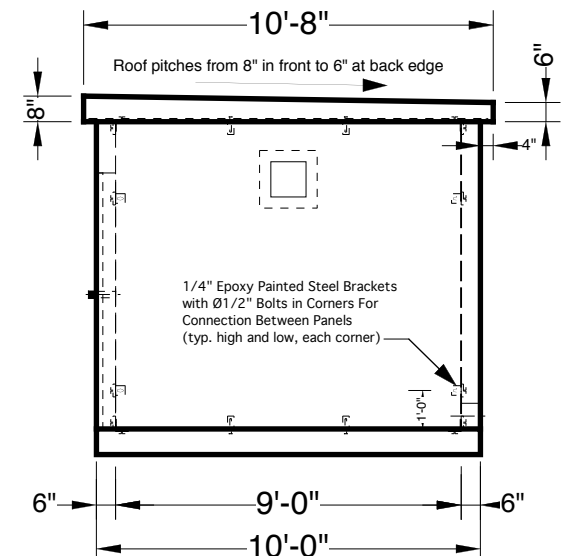
- Available Options -  
Single or Double Doors  
Custom Opening Locations  
Custom Size Vents  
Exterior Exposed Limestone Aggregate Finish  
Exterior Simulated Brick Finish



**PLAN VIEW**



**SIDE VIEW**



**END VIEW**

To meet your jobsite requirements, we can customize size of buildings to the nearest inch.