



Advance Concrete Product Co.
975 N. Milford Rd. • Highland, MI
(248)887-4173 • (800)824-8351
FAX (248)887-2755



PAPI Lamp Housing Assembly

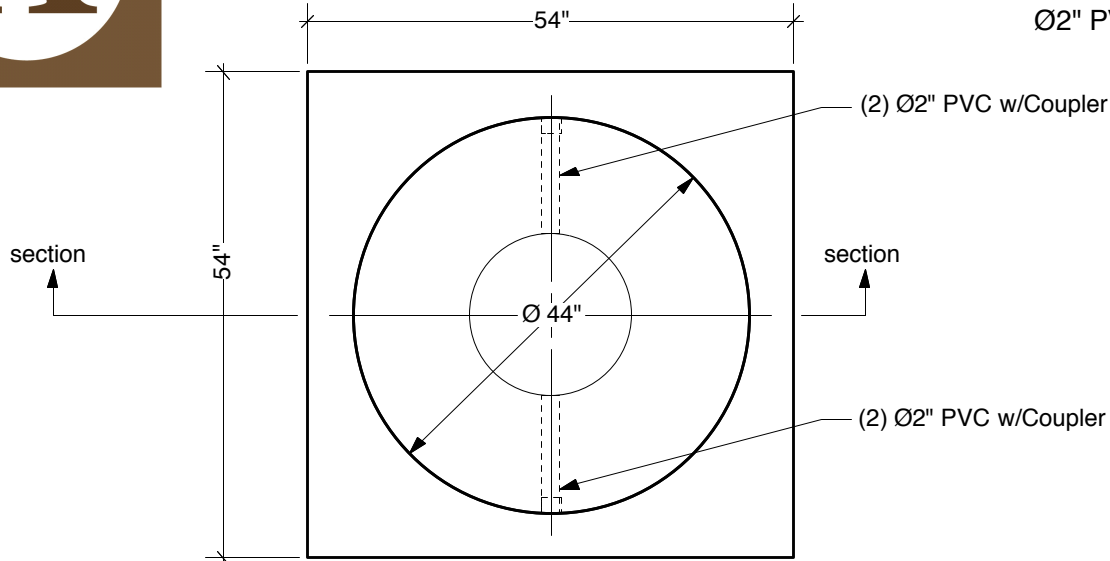
Precast Concrete Foundation

Concrete: 4000 P.S.I. @ 28 Days
Reinforcement: Grade 60 Rebar Conforming to ASTM A706

Ø2" PVC Conduit Locations Verified By Contractor.

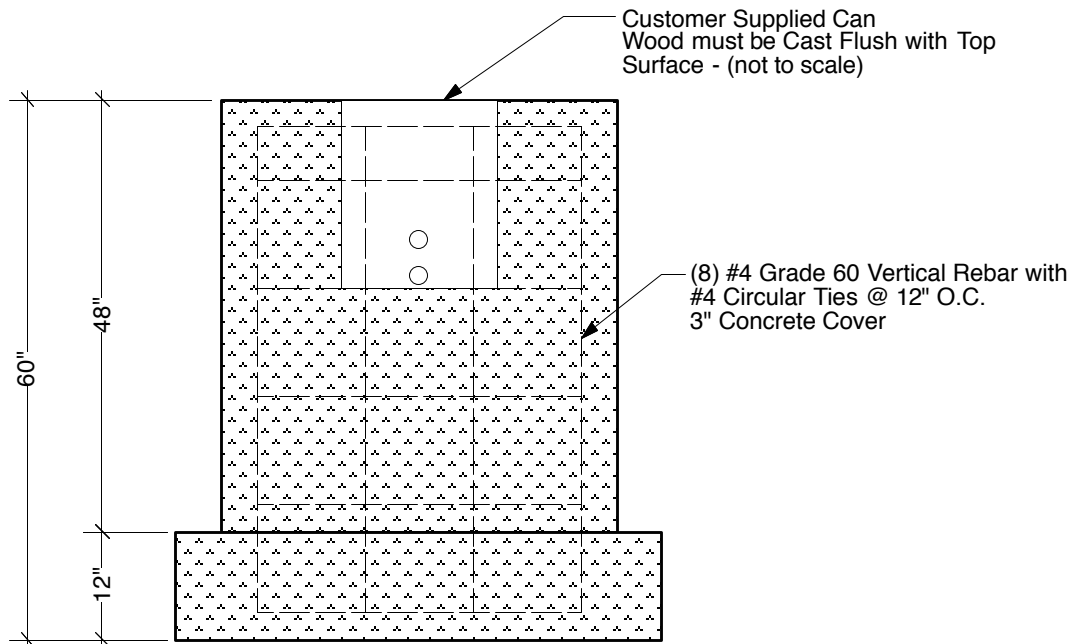
Expansion Anchors To Be Drilled
On-Site by Others.

Grounding Hardware by Others.



PLAN VIEW

Approximate Weight: ± 9,400 Lbs.



SECTION VIEW