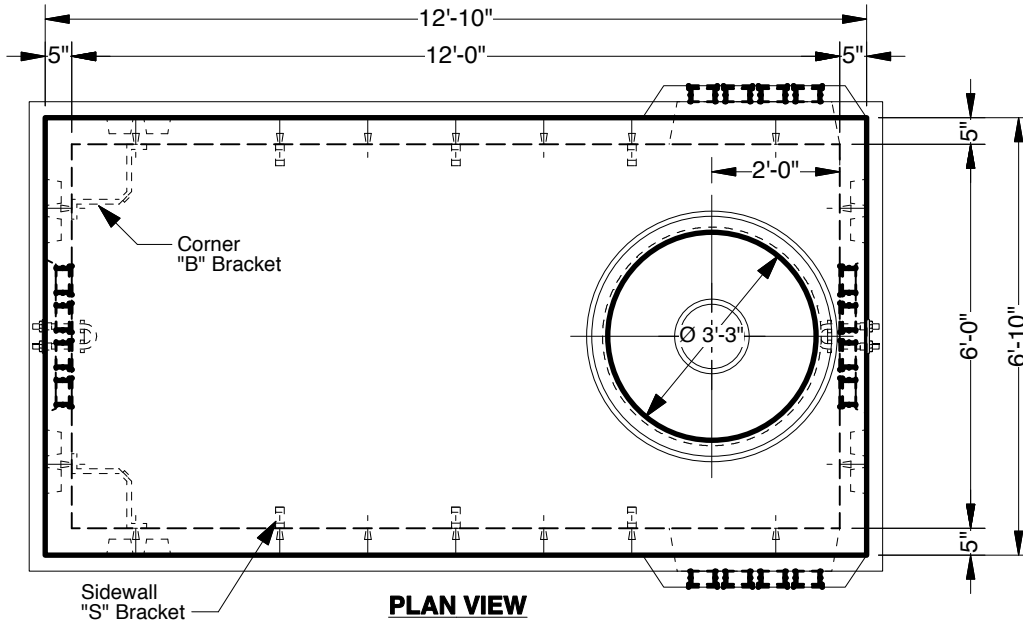


12' x 6' x 7' Type J3-1 Manhole

Advance Concrete Products Company



(800) 824-8351 (248) 887-4173 Fax: (248) 887-2755



All Concrete Shall Have A 28 Day Compressive Strength Of 4500 PSI.
 Reinforcing Steel Shall Comply With ASTM A615 Grade 60 Rebar.
 Bar Bending And Placement Shall Comply With The Latest ACI Standards.
 Standard Structural Design Based On AASHTO HS 20 Wheel Loading.

-Optional Galvanized Steel Hardware Package-

"S" Brackets	24
"B" Brackets	8
47 Hole Racks	12
1/2" X 13 X 1 1/4" Bolts	64
1/2" X 13 Nuts	64
1/2" X 13 X 1 3/4" Bolts	32
8'-0" Hooked Ladder	1

1" Ø Butyl Rope Mastic Is Provided For Placement
 Between Top And Bottom Sections Of Vault.

6", 12", & 24" High Grade
 Adjustment Rings Available

Approximate Weight Total: ± 28,500 Lbs.
 Bottom Section : ± 14,250 Lbs. Top Section: ± 14,250 Lbs.

