

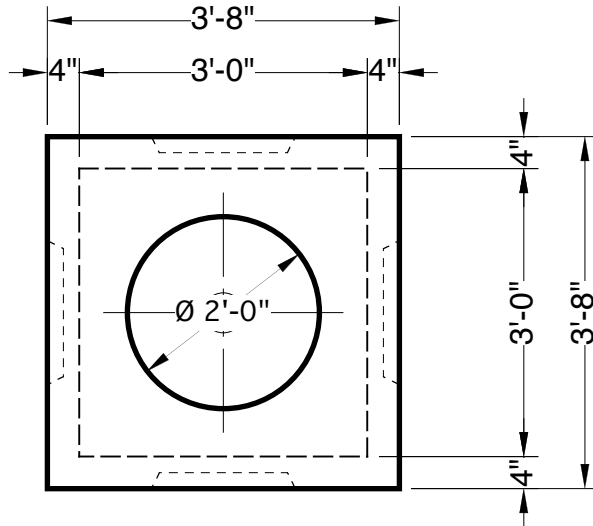


3' x 3' x 4' Handhole

Advance Concrete Products Company



(800) 824-8351 (248) 887-4173 Fax: (248) 887-2755



PLAN VIEW

All Concrete Shall Have A 28 Day Compressive Strength Of 4500 PSI.

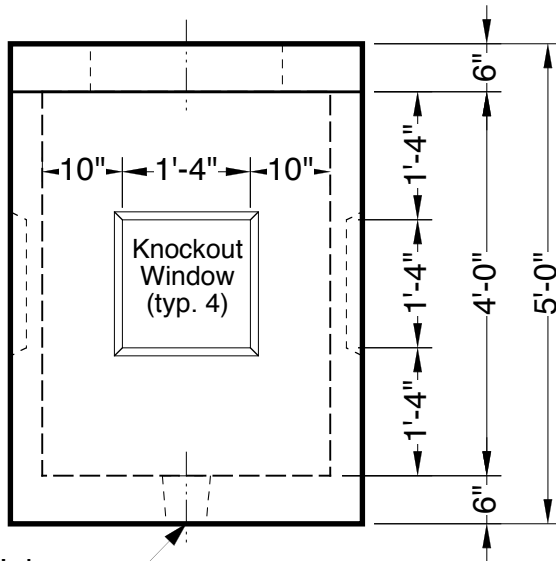
Reinforcing Steel Shall Comply With ASTM A615 Grade 60 Rebar.
Bar Bending And Placement Shall Comply With The Latest ACI Standards.

Standard Structural Design Based On AASHTO HS 20 Wheel Loading.

1" \varnothing Butyl Rubber Rope Mastic Is Provided
For Placement In Top Seam.

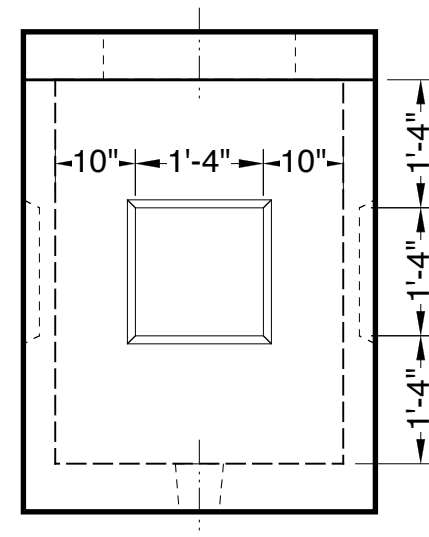
- Options -
Round or Square Frames and Covers
Hot-Dipped Galvanized Steel Pulling Irons

Approximate Weight Total: \pm 4,400 Lbs.
Bottom Section : \pm 3,600 Lbs. Roof: \pm 800 Lbs.



5" \varnothing Sump Hole

SIDE VIEW



END VIEW