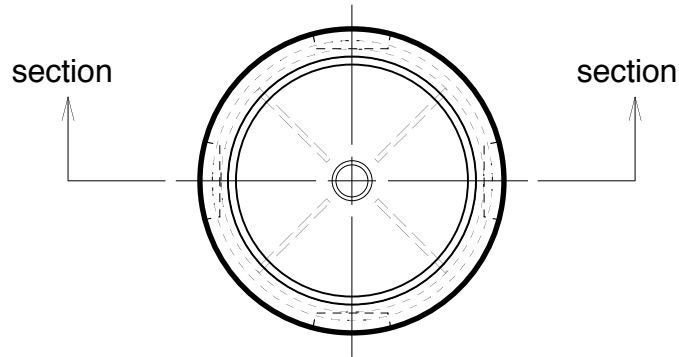


30"Ø x 36" Type III Handhole

Advance Concrete Products Company



(800) 824-8351 (248) 887-4173 Fax: (248) 887-2755

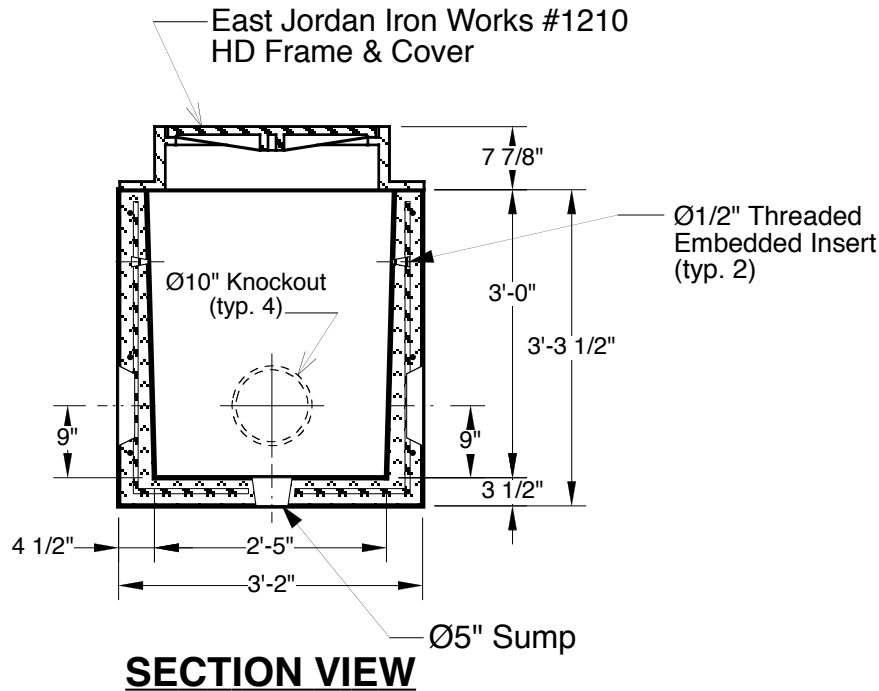


PLAN VIEW
(w/out frame & cover)

All Concrete Shall Have A 28 Day Compressive Strength Of 4500 PSI.

Reinforcing Shall Be A706 Grade 60 Rebar (Weldable)
Standard Structural Design Based On AASHTO HS 20 Wheel Loading.

- Lettering Options -
PUBLIC LIGHTING DEPT.
MDOT ELECTRIC
MDOT MITS SCANDI
MITSC



SECTION VIEW