

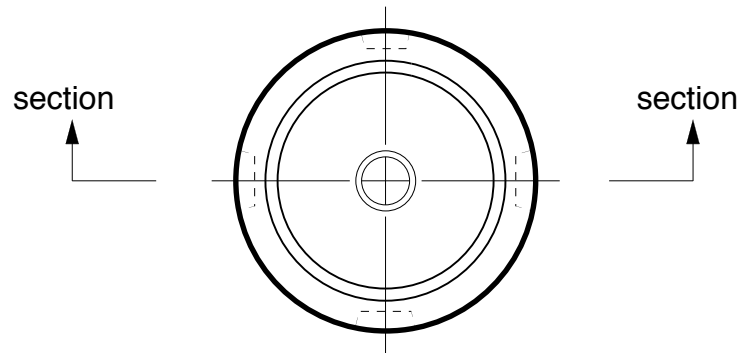


Michigan Department of State Highway 18" Ø x 30" Light Duty Handhole



Advance Concrete Products Company

(800) 824-8351 (248) 887-4173 Fax: (248) 887-2755

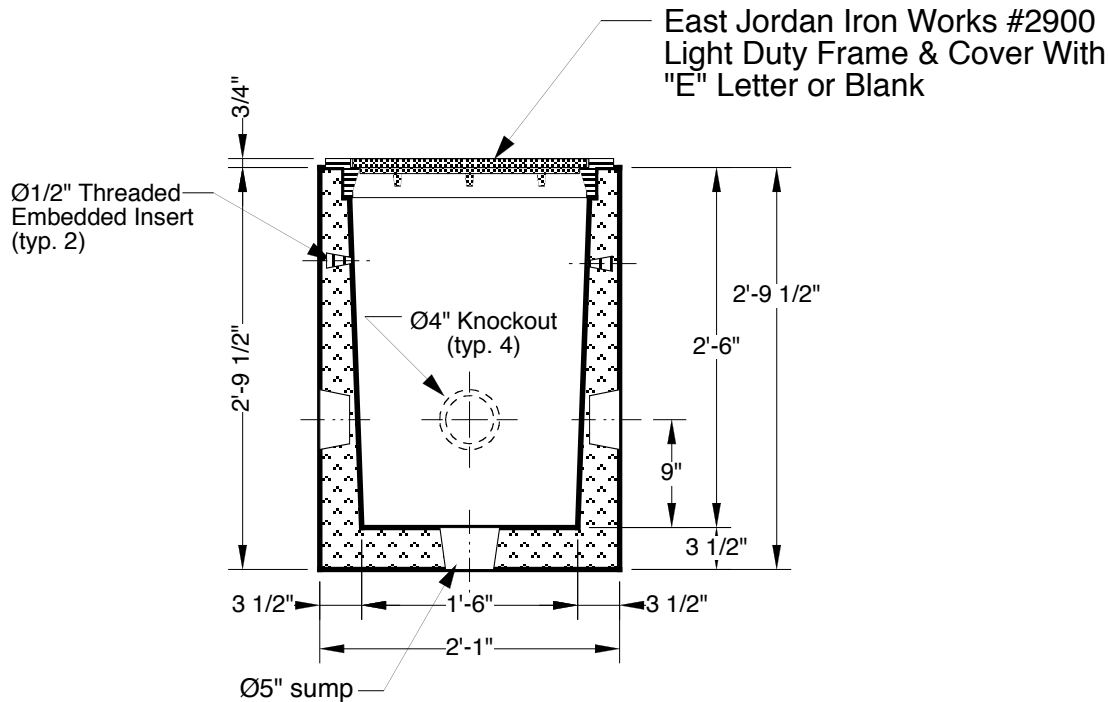


PLAN VIEW
(w/out Frame & Cover)

All Concrete Shall Have A 28 Day Compressive Strength Of 4500 PSI.

Reinforcing Shall Be 6x6 10/10 Welded Wire Mesh.
Standard Structural Design Based On Pedestrian Loading.

Approximate Handhole Weight: ± 600 Lbs.



SECTION VIEW