

# 4' x 4' x 4' Standard Terminator Handhole - Two Piece Style



Advance Concrete Products Company

(800) 824-8351 (248) 887-4173 Fax: (248) 887-2755

All Concrete Shall Have A 28 Day Compressive Strength Of 4500 PSI.

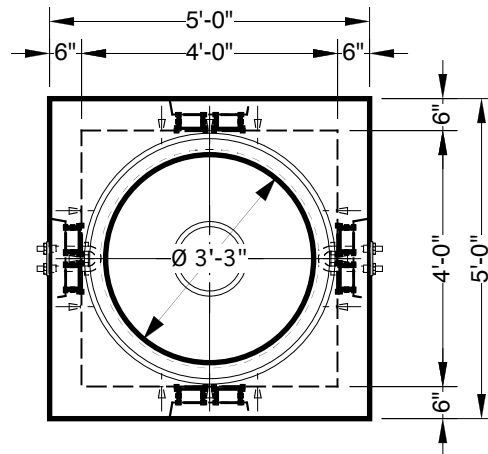
Reinforcing Steel Shall Comply With ASTM A615 Grade 60 Rebar.  
Bar Bending And Placement Shall Comply With The Latest ACI Standards.

Standard Structural Design Based On AASHTO HS 20 Wheel Loading.

1" Ø Butyl Rubber Rope Mastic Is Provided  
For Placement In Top Seam.

- Options -
- Cast Iron Heavy Duty Frames & Covers
- Galvanized Steel Hardware
- 6", 12" And 24" High Grade Adjustment Rings
- Custom Openings

**Approximate Weight** Total: ± 8,500 Lbs.  
Bottom Section : ± 4,350 Lbs. Top Section: ± 4,150 Lbs.

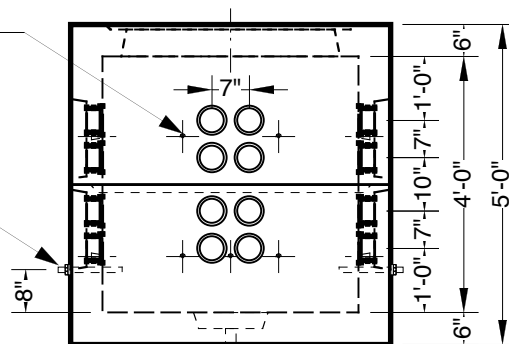


**PLAN VIEW**

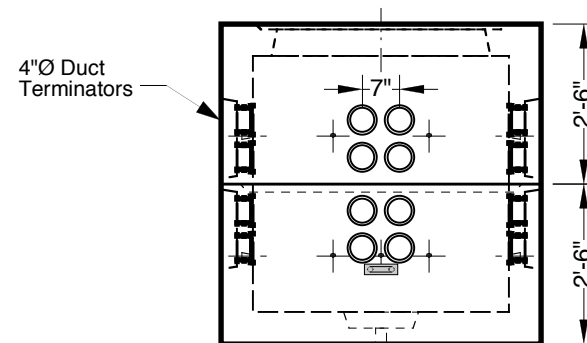
Ø1/2" Threaded  
Embedded  
Inserts in Walls

1"Ø Pulling Iron  
(typ. 2)

Ø12" x 3" Deep Sump Dish  
with 3/4"Ø Drain Plug



**SIDE VIEW**



**END VIEW**